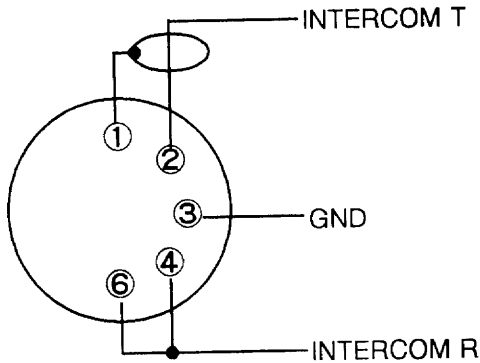


# 12. WIRINGS OF CONNECTORS

## INTERCOM connector



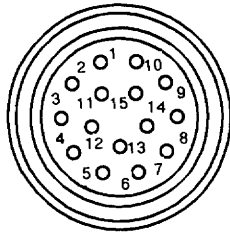
Plug:HA216J-5P

Applicable headset specification

TALK: -80dB, 200ohms

RECEIVE: 114dB/1mW, 8 to 40ohms

## TALLY/INTERCOM Connector

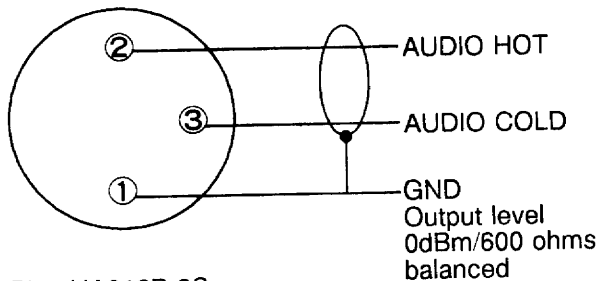


Plug:RM21TPA-15S

Pin	Signal name	Pin	Signal name
5	INTERCOM L2	12	INTERCOM GND
6	INTERCOM L2 GND	13	TALLY M
7	2W INTERCOM L1	14	TALLY V
8	INTERCOM	15	TALLY COMM(GND)
11	4W INTERCOM L1		

(Note)1, 2, 3, 4, 9 and 10are not connected

## AUDIO OUT Connector



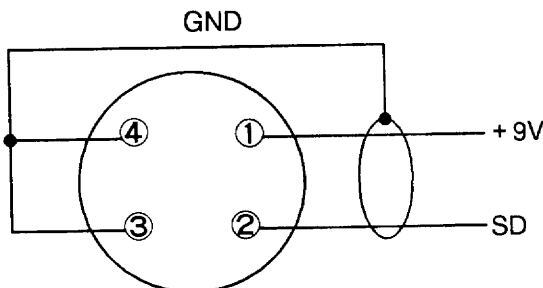
Plug:HA216P-3S

### Intercom input/output level

INTERCOM L1 input/output: 2Vp-p/220ohms

INTERCOM L2 input: 2Vp-p/high

## REMOTE Connector



Plug:HR10A-7P-4P